

Illusion

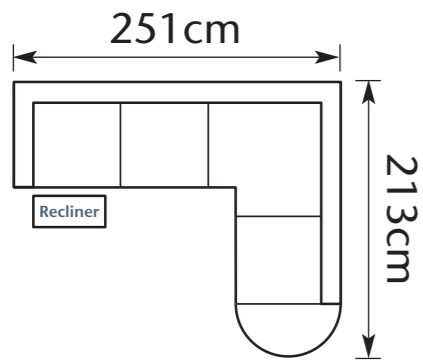
Corner Sofas

If you need any more help, please feel free to ask one of our sales team.

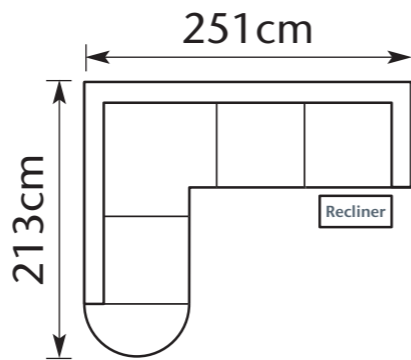
We've created the style - You design the look.

Corner group as displayed in store.

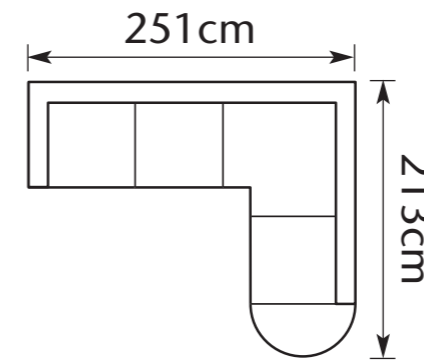
- A With manual recliner Price: £1645
- E With power recliner Price: £1795
- G With battery recliner Price: £1845



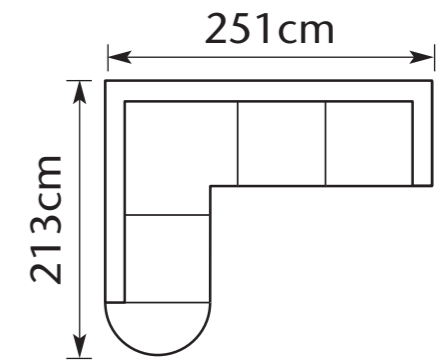
- B With manual recliner Price: £1645
- F With power recliner Price: £1795
- H With battery recliner Price: £1845



- C Price: £1595



- D Price: £1595



- I With 2 manual recliners Price: £1975
- O With 2 power recliners Price: £2275
- R With 2 battery recliners Price: £2375

- J With 2 manual recliners Price: £1825
- P With 2 power recliners Price: £2125
- S With 2 battery recliners Price: £2225

- K With 2 manual recliners Price: £1825
- Q With 2 power recliners Price: £2125
- T With 2 battery recliners Price: £2225

- L Price: £1875

